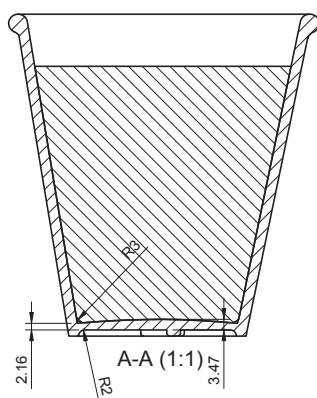
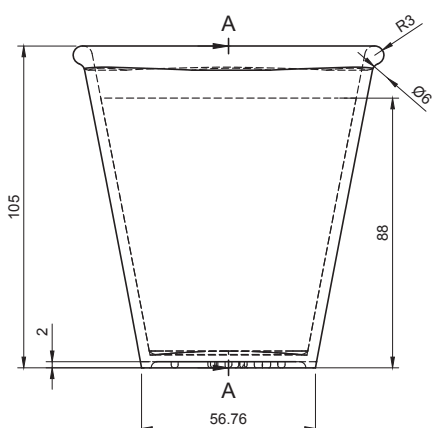




400 ML
CUP



RAW MATERIAL

Cassava starch and water

COMPOSITION

100% cassava starch (other elements such as natural fibers, flour, seeds or dyes.)

PACKAGING

Transparent plastic packaging sealed with high temperature Card box closed with paper tape.

PRODUCT DIMENSIONS (W/H)

56 x 76 x 105 mm

BOX DIMENSIONS

47 x 47 x 33 cm

BOX CONTENT

200 units

CONSERVATION

Storage in the original packaging away from moisture and odors.

SHELF LIFE

24 months

CHARACTERISTICS

Edible product, neutral flavour.
Smooth surface, round edges, with low reliefs.

ADDITIONAL INFORMATION

Suitable for dry food and instant use of cold food and beverages. Not suitable for hot drinks

MANUFACTURER DATA

E. C. Cardoso Biotecnologia - Botucatu SP - Brasil
CNPJ 36.032.808/0001-06



okabioembalagens
www.okabioembalagens.com.br

